

# DH-PFA140

## Power Box



### Features

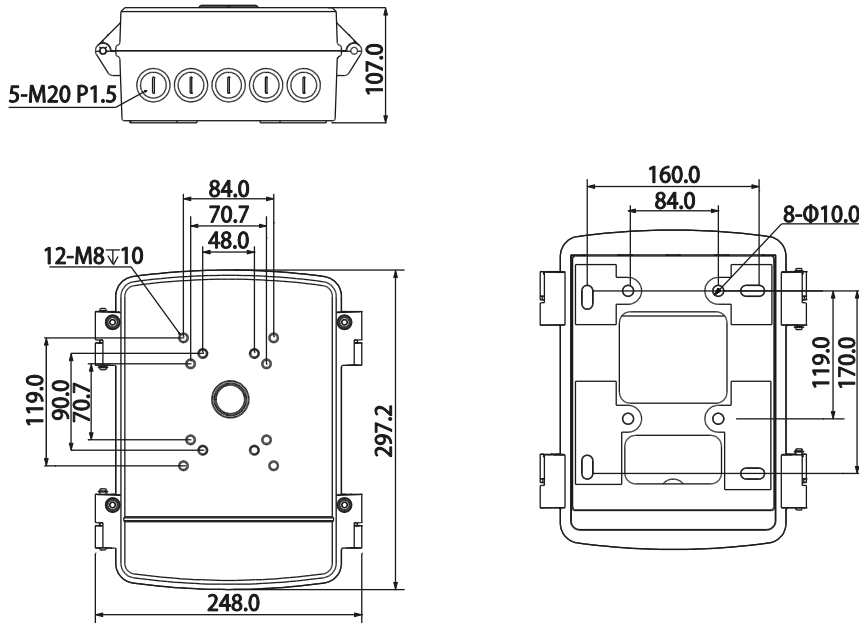
- Material: Aluminum & SECC
- Power Box
- Neat & Integrated design

### Specifications

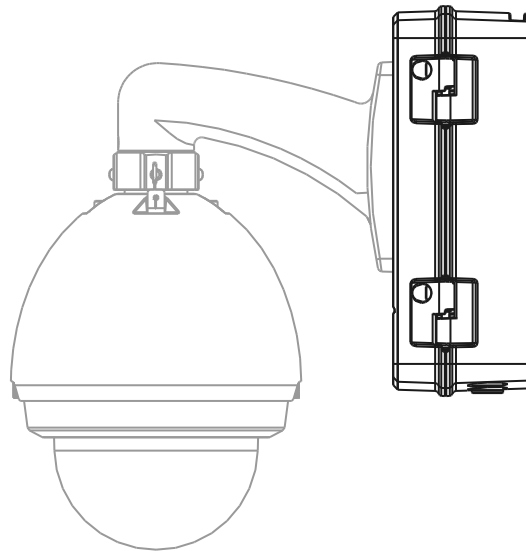
Model	DH-PFA140
<b>General</b>	
Material	Aluminum & SECC
Dimension (W x H x D)	297mmx 248mm x 107mm
Pipe Thread	N/A
Operating Temperature	-40°C ~60°C
Humidity	0~90% RH
Load Bearing	8.0Kg
Weight	1.7kg
Applicable Model	PFB300S, PFB300W, PFB301W

# DH-PFA140

## Dimensions (mm)



## Application



### Dahua Technology Co., Ltd.

1187 BinAn Road, Binjiang District, Hangzhou, China

Tel: +86-571-87688883

Fax: +86-571-87688815

Email: [overseas@dahuatech.com](mailto:overseas@dahuatech.com)

[www.dahuasecurity.com](http://www.dahuasecurity.com)

\*Design and specifications are subject to change without notice.

© 2014 Dahua Technology Co., Ltd.