

Rotary Thermostat

Description



MEC 21 Mechanisms
Ref. 21234
 Finishings - LOGUS 90 | APOLO 5000 | SIRIUS 70

MEC Q45 Mechanisms
Ref. 45234 S
 Finishings - QUADRA | SIZA | LATINA



Allows the control of Heating or Cooling systems depending on the set temperature.
 Possibility of connecting the Floor Temperature Sensor (Ref. 81950), with automatic self-detection.
 Compatible with electrical and hydraulic systems.
 Systems control: Heating or Cooling.
 Anti Freeze Protection (Heating) and Thermal Protection (Cooling).

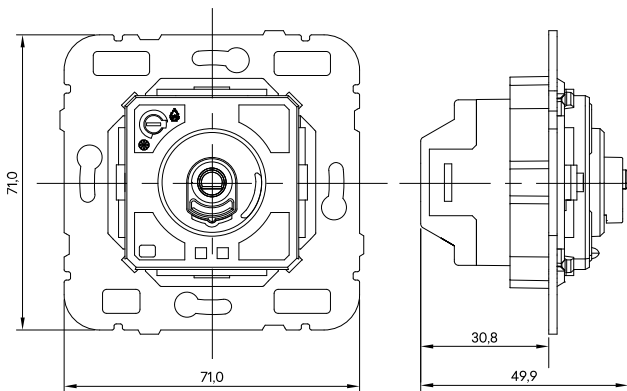
Characteristics

Rated voltage: **100-240 V ~ | 50-60 Hz**
 Maximum load: **16 A (cos φ = 1)**
 Consumption: **< 200 mW**
 Operation temperature: **-10 °C to +45 °C**
 Temperature adjustment: **+5 °C to +30 °C**
 Range of temperature readings: **-9 °C to +35 °C**
 Output: **NO**

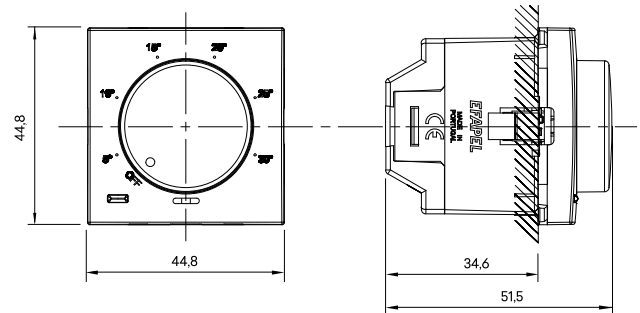
Operation

Constant selection and control of the desired ambient temperature through direct push-button setting.
 - **LED Red** – Heating Control
 - **LED Blue** – Cooling Control

Dimensions MEC 21 (mm)



Dimensions MEC Q45 (mm)



Wiring Diagram (Heating / Cooling)

